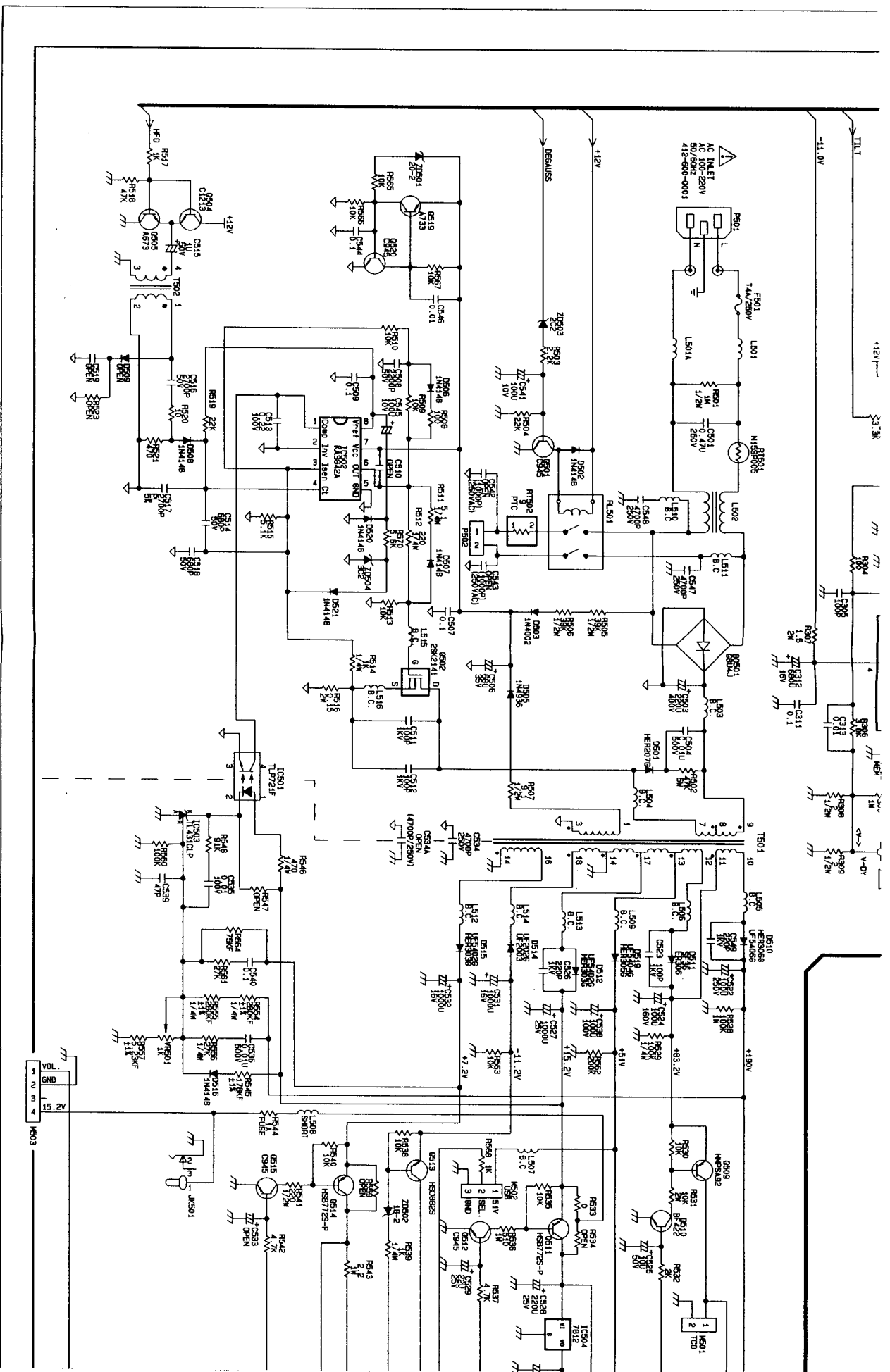


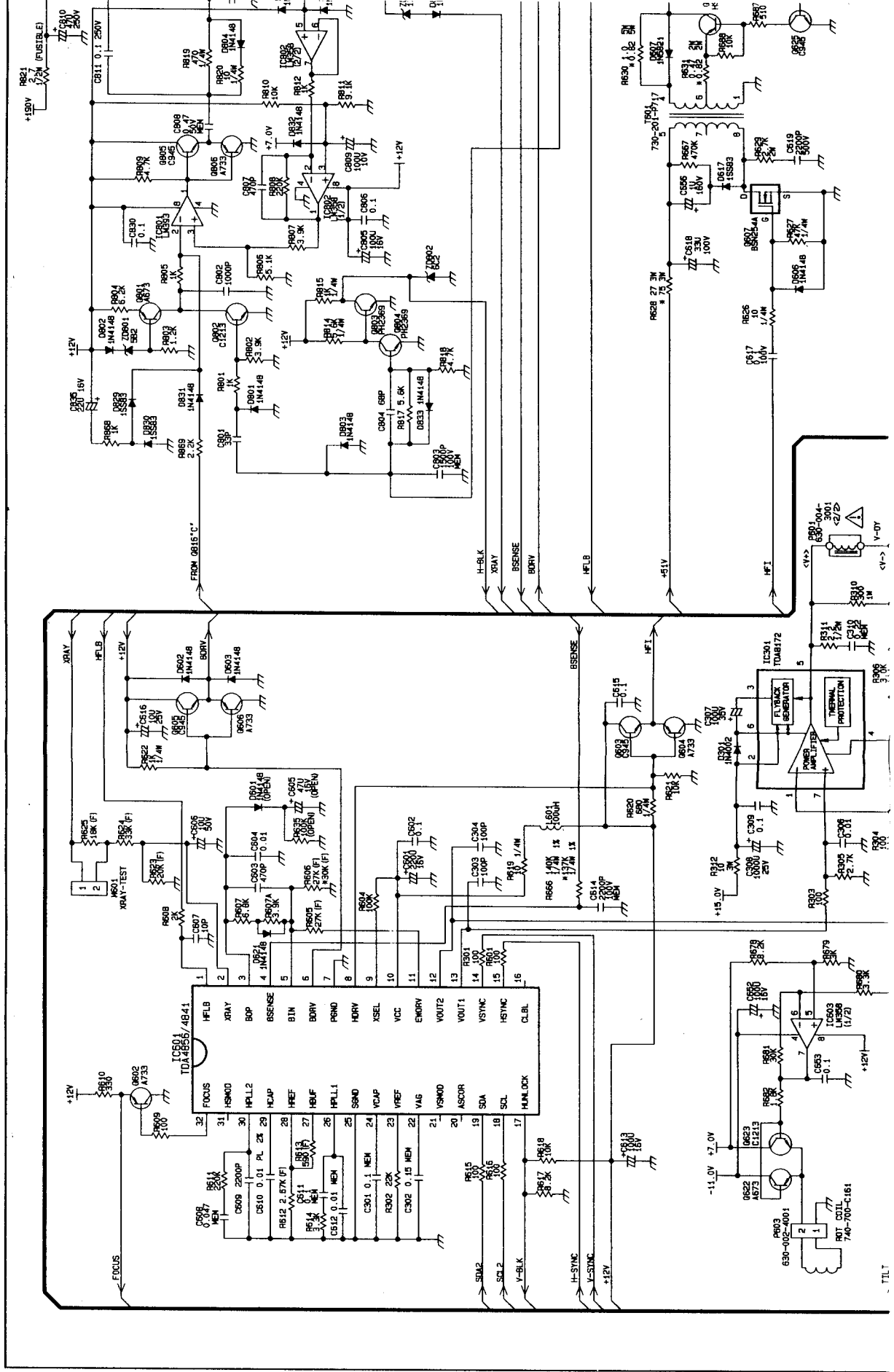
200-200-P7

PROVEN ELECTRONICS (TAIWAN) CO., LTD.		DDN	1999-12-21
P7 CRT BOARD.		DSN	1999-12-21
P7CR153.SCH		CKD	1999-12-21
DATE: 1999-12-21		APPD	1999-12-21
		0	

\* FOR 215  
 △ FOR 796  
 CRT SOCKET  
 411-100-0008







TIL

